

SolarEdge Home Hub Inverter - Single Phase

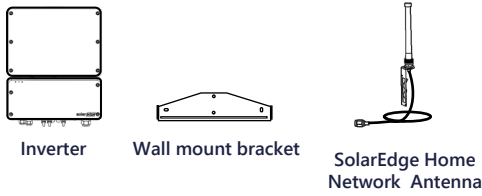
Quick Installation Guide
 For Europe



WARNING! To avoid danger, read the **HANDLING AND SAFETY INSTRUCTIONS** provided with this product, or refer to: https://www.solaredge.com/sites/default/files/se_handling_and_safety_instructions.pdf



What's in the Package



Before installation, read the datasheet provided with this product, or refer to: <https://knowledge-center.solaredge.com/sites/kc/files/se-home-hub-single-phase-inverter-datasheet-eu.pdf>

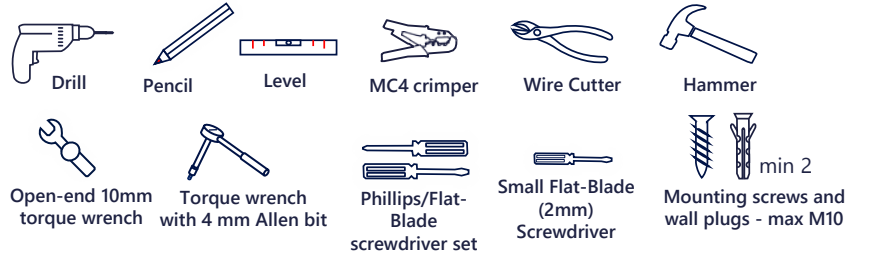


WARNING! This symbol denotes a hazard. It calls attention to a procedure that if not correctly performed or adhered to could result in injury or loss of life. Do not proceed beyond a warning note until the indicated conditions are fully understood and met.

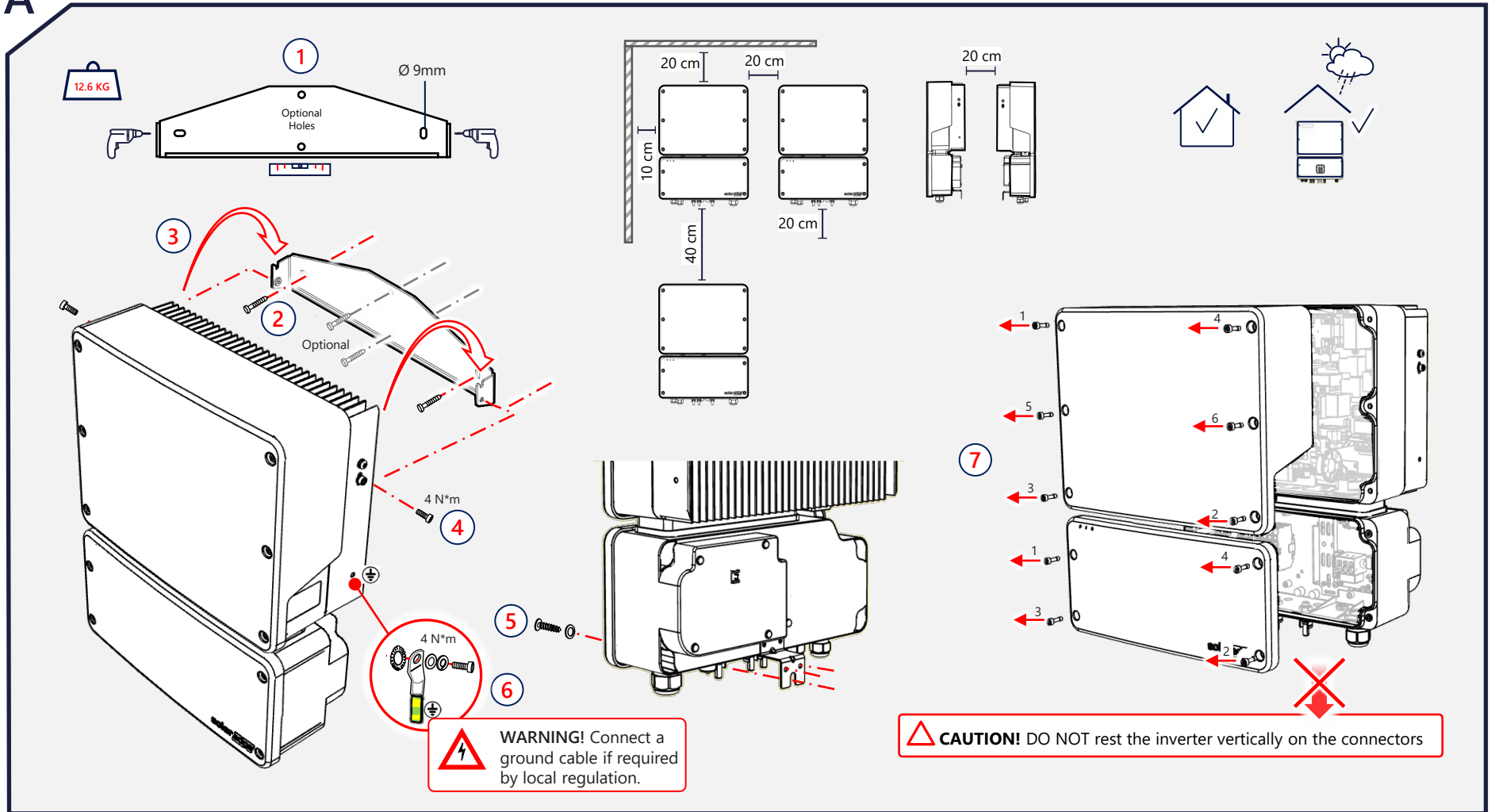


CAUTION! Denotes a hazard. It calls attention to a procedure that, if not correctly performed or adhered to, could result in damage or destruction of the product. Do not proceed beyond a caution sign until the indicated conditions are fully understood and met.

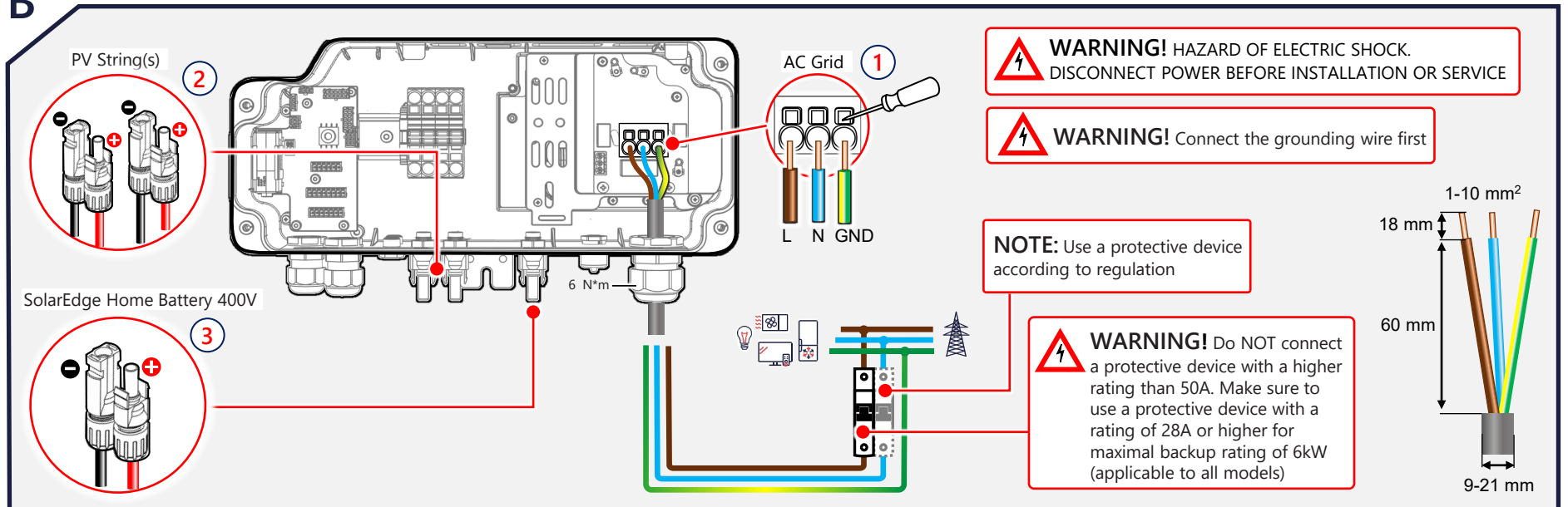
Tools and Materials



A Mounting



B Wiring

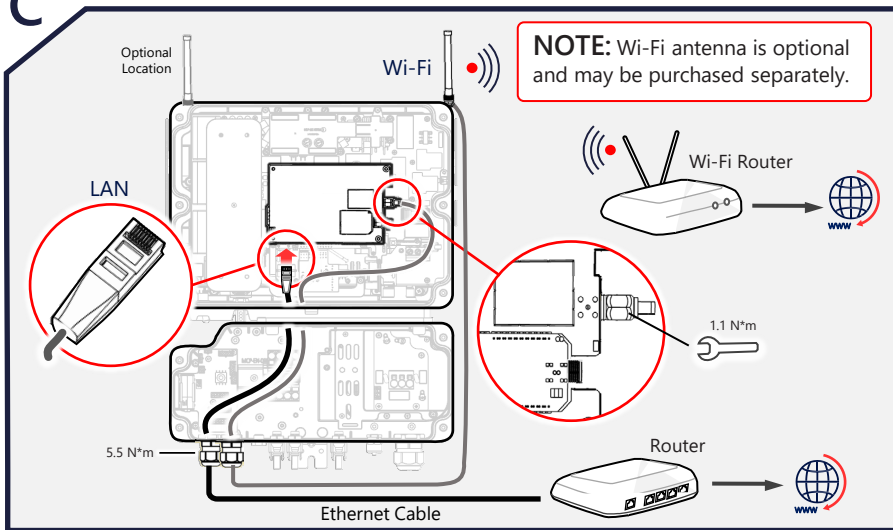


⚠ WARNING! Before installing or operating SolarEdge Home Battery 400V, read the safety and handling instructions provided with the battery.

IMPORTANT! The connection to units and accessories shown here is for reference only. For detailed information, refer to the specific product guide.

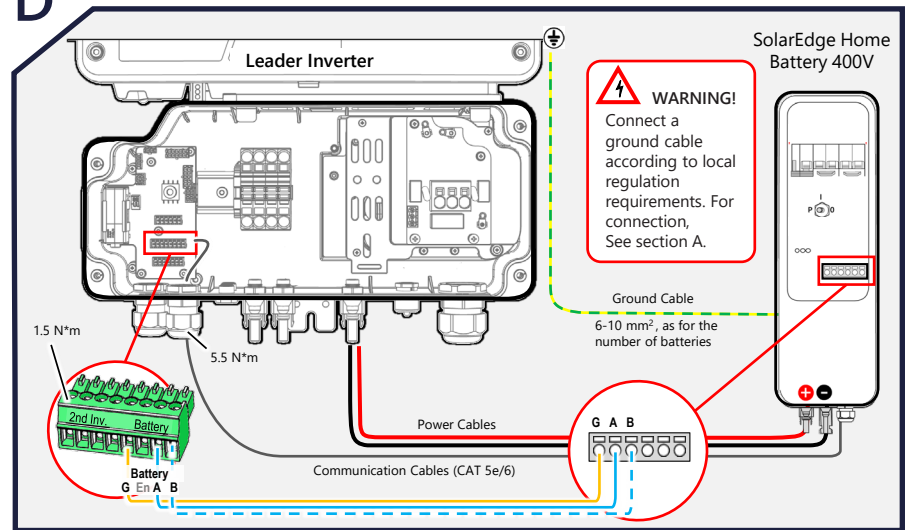
Connecting to LAN or Wi-Fi

(In Leader-Follower configuration, LAN or Wi-Fi MUST connect to the Leader inverter)



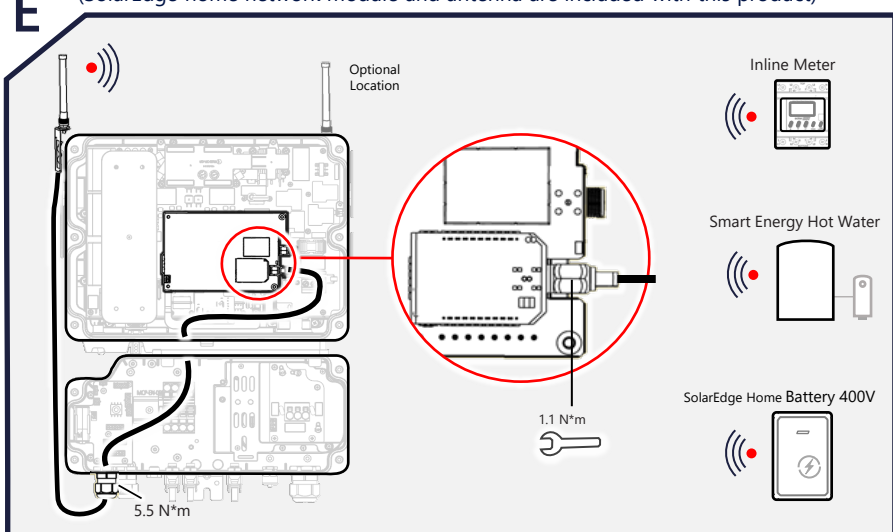
Connecting to SolarEdge Home Battery 400V

(Optionally, connect battery communication wirelessly using SolarEdge Home Network)

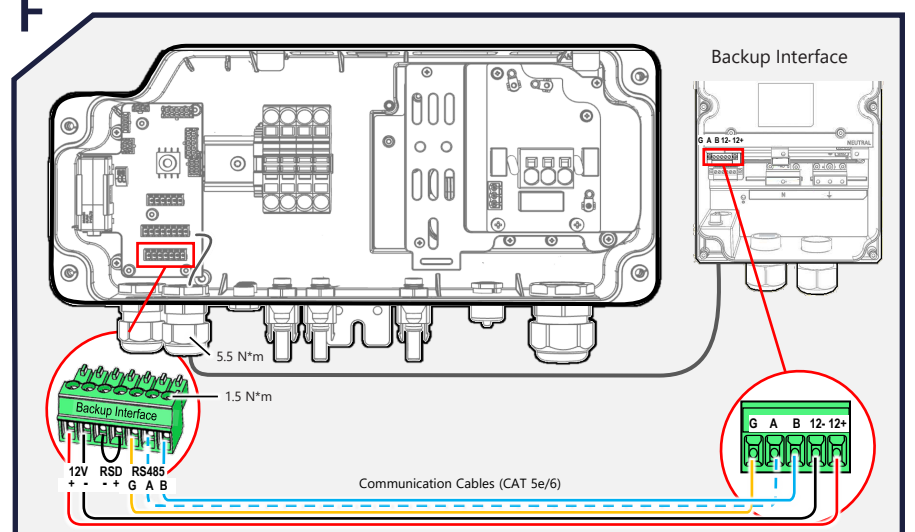


Connecting to SolarEdge Home Network

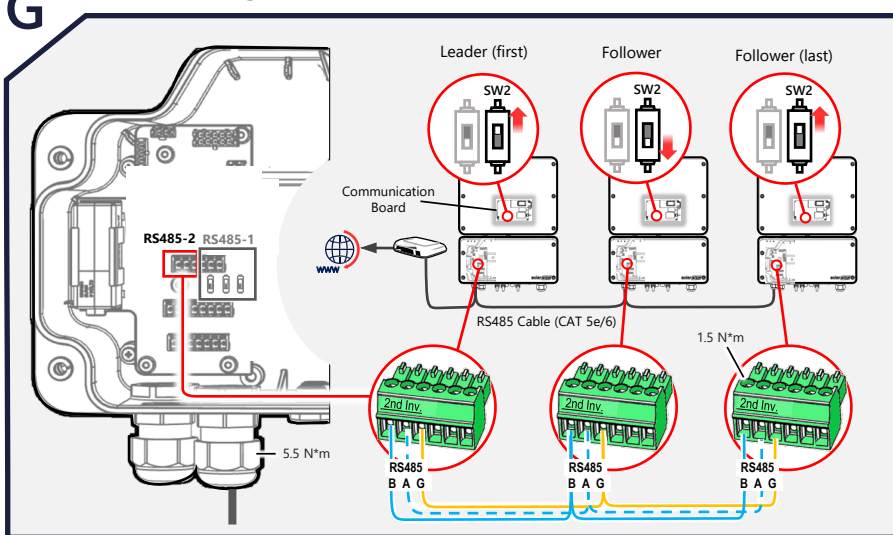
(SolarEdge home network module and antenna are included with this product)



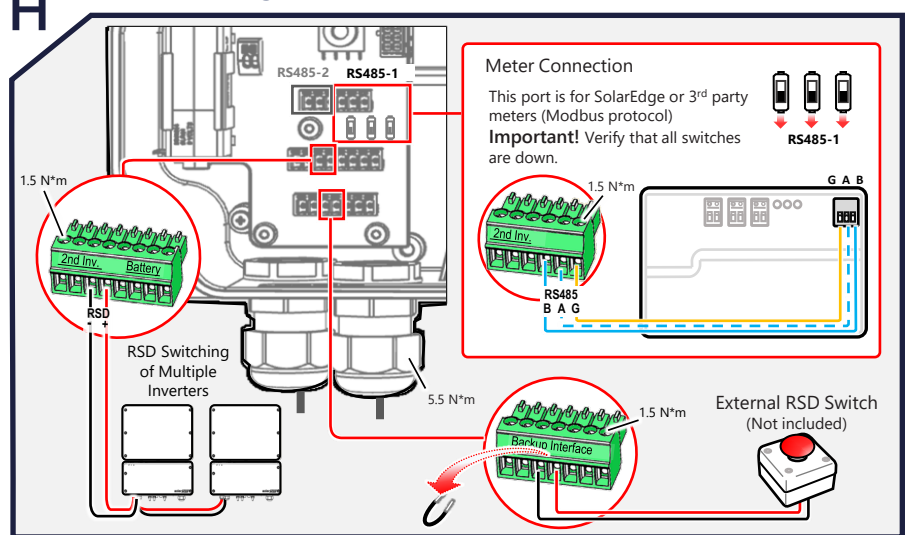
Connecting to Backup Interface



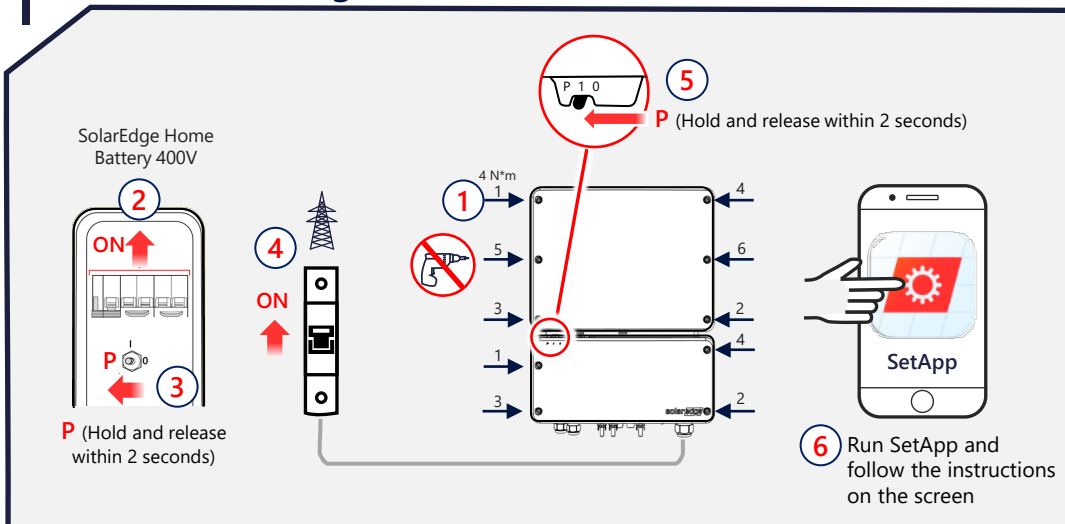
Connecting Multiple Inverters



Connecting to Meter and External RSD Switch



Commissioning the Inverter



LED Indications

