

# BAUER

Solartechnik GmbH



## BS-6M5-EL

Monocrystalline solar module 290 - 300 W



### PERFORMANCE GUARANTEE

25 years product warranty and a linear performance guarantee over a period of 25 years



### CERTIFICATION

Permanent in-house quality control, multiple certifications by accredited inspection bodies



### EFFICIENCY

High efficiency for optimum yield - innovations directly influence the production process



### POSITIVE POWER TOLERANCE

Exclusive delivery of solar modules with positive power tolerance only



### WEATHER-RESISTANT

Standardized mechanical load test guards against damage from wind and weather



### GERMAN GUARANTOR

In case of need it is ensured that a German company assumes the claim settlement



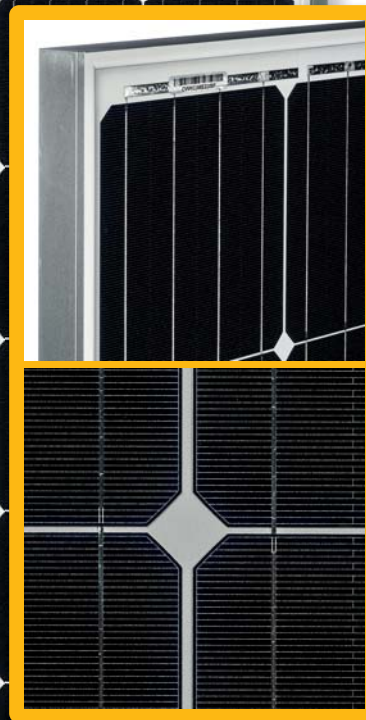
### SAFETY

High-quality components ensure maximum protection in all weather conditions



### HANDLING

Low storage / transport cost and easy installation thanks to an intelligent packaging concept



PROVEN & GUARANTEED BY  
**BAUER SOLARTECHNIK**  
HIGH QUALITY STANDARDS BY GERMAN ENGINEERS



## Mechanical Data

Cell type	monocrystalline 156 x 156 mm
Cell formation	6 x 10 (60)
Module dimensions	1640 x 990 x 35 mm
Weight	18,3 kg
Front cover	tempered glass, 3,2 mm
Frame material	anodized aluminium alloy
Module back	TPT foil
Embedding material	EVA
Connection	junction box $\geq$ IP 65
Number of diodes	3 x 2 bypass diodes
Cabel / connector	4 mm <sup>2</sup> , 900 mm, MC4-compatible

## Temperature coefficients

Nom. operating cell temp. (NOCT)	45°C $\pm$ 2
Temperature coefficient of $I_{sc}$	+0,039 %/K
Temperature coefficient of $V_{oc}$	-0,423 %/K

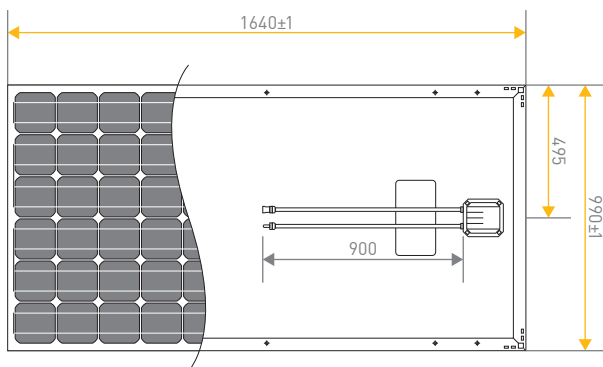
## Operational conditions

Maximum system voltage	1000 V DC (TÜV)
Operating temperatur	-40 bis 85°C
Maximum series fuse rating	20 A
Static load (snow/wind)	5400 Pa
Hail	$\varnothing$ 25 mm bei 23 m/s

## Electrical data<sup>1</sup>

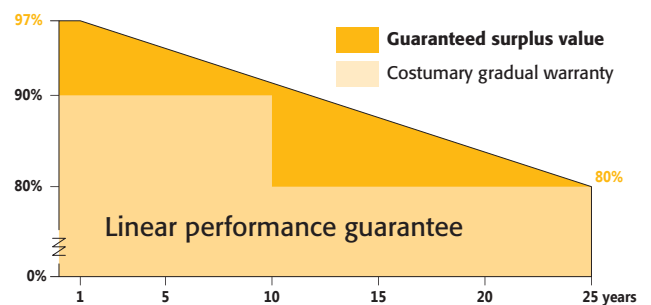
	BS-290-6M5-EL	BS-295-6M5-WL	BS-300-6M5-EL
Nominal maximum power $P_{max}$ (W <sub>p</sub> )	290 W	295 W	300 W
Power output tolerance $P_{max}$ (%)	0 ~ +3	0 ~ +3	0 ~ +3
Optimum operating voltage $V_{mpp}$ (V)	31,90	32,00	32,20
Optimum operating current $I_{mpp}$ (A)	9,10	9,22	9,31
Short circuit current $I_{sc}$ (A)	9,47	9,54	9,60
Open circuit voltage $V_{oc}$ (V)	39,50	39,60	39,80
Module efficiency $\eta_m$ (%)	17,86	18,16	18,48

## Dimensions



## Warranty conditions<sup>2</sup>

Product warranty	25 years
Performance guarantee	25 years (min. 80% after 25 years)



## Packaging units

Modules per pallet	30 pcs
Module per truck	840 pcs

## Qualification & certification

IEC 61215:2005	CE
IEC 61730-1:2004 / IEC 61730-2:2004	

<sup>1</sup>Values under Standard Test Conditions (STC): air mass 1,5 AM, irradiance 1000 W/m<sup>2</sup>, cell temperature 25°C. STC measuring tolerance:  $\pm 3$  % ( $P_{max}$ ),  $\pm 10$  % ( $V_{max}$ ,  $I_{mpp}$ ,  $V_{oc}$ ,  $I_{sc}$ ). <sup>2</sup>Nominal value is specified in the written warranty conditions. Note: Please read safety instructions and installation manual before using this product. Subject to change. © 2017 Bauer Energiekonzepte GmbH. Effective 27th of february 2017.



Distribution:

**BAUER** **ENERGIEKONZEPTE**