

SoliTek

SOLID

INSTALLATION MANUAL

Valid for:

SOLID Pro P.60, SOLID Pro P.72, SOLID Pro M.60, SOLID Pro M.72 SOLID, SOLID Framed P.60, SOLID Framed M.60, SOLID Bifacial B.60 and SOLID Bifacial B.72

Table of contents

1	General requirements.....	3
2	Handling	4
3	Application	5
3.1	Restrictions	5
3.2	Recommendations	5
4	Electrical installation.....	6
4.1	Safety.....	6
4.2	Configuration	8
4.3	Overcurrent protection device (OCPD)	9
4.4	Cable & wiring.....	10
4.5	Grounding	11
4.5.1	SOLID Framed series modules grounding.....	11
4.5.2	SOLID Pro series grounding	11
4.6	Connectors.....	12
4.7	Bypass diodes.....	12
5	Fire class rating	12
6	Mechanical mounting	13
6.1	Mounting rails	13
6.2	Mounting with clamps.....	13
6.3	SOLID Pro P(M).60 mounting.....	15
6.3.1	Transversal rails	15
6.4	SOLID Pro P(M).72 mounting.....	17
6.4.1	Transversal rails	17
6.5	SOLID Framed P(M).60 mounting	22
6.5.1	Mounting with clamps.....	22
6.5.2	Mounting with bolts	22
7	Maintenance.....	23
8	Specifications.....	24
9	Disclaimer of liability.....	27



1 General requirements

Thank you for choosing SoliTek panels!

Please read this guide in it's entirely before the installation.

The purpose of this document is to provide minimum requirements and recommendations for safe and successful installation of SoliTek PV modules.

This document also contains requirements necessary to retain SoliTek PV module compliance with IEC 61215 and IEC 61730 standards.

This guide contains basic information regarding JSC "SoliTek Cells" SOLID series photovoltaic modules, their installation and safe handling. All instructions should be read and understood before attempting installation. If there are any questions, please contact your dealer or JSC "SoliTek Cells" for further information.

This documentation refers to the PV-modules themselves and is not meant to be a complete installation manual for personnel not specifically trained to PV-modules. It serves as a general but strictly mandatory to the Installer reference. Infringement or inaccurate observance of any clause of this documentation voids the warranty.

The installer must understand and follow all applicable local, state, and federal regulations and standards for building construction, electrical design, fire, and safety, and must check with local authorities to determine applicable permitting requirements before attempting to install or maintain PV modules and should become familiar with the mechanical and electrical requirements for photovoltaic systems.

Failure of follow instructions in this guide may damage system components, endanger personnel, damage property, or invalidate the panel warranty.

Rooftop PV systems should only be installed on dwellings that have been formally analyzed for structural integrity, and confirmed to be capable of handling the additional weighted load of PV system components, including PV modules, by a certified building specialist or engineer.



For your safety, do not attempt to work on a rooftop until safety precautions have been identified and taken, including without limitation fall protection measures, ladders or stairways, and personal protective equipment (PPE).

For your safety, do not install or handle PV modules under adverse conditions, including without limitation strong or gusty winds, and wet or frosted roof surfaces.

The flat-plate PV module construction consists of a laminated assembly of solar cells encapsulated within an insulating material within two glass sheets.

Keep this documentation in a safe place for future reference.

Do not attempt to disassemble the module, and do not remove any attached nameplates or components! Doing so will void the warranty.

2 Handling

SoliTek PV modules must be transported in the supplied packaging only and kept in the packaging until they are ready to be installed. Protect pallets against movement and exposure to damage during transportation. Secure pallets from falling over. Do not exceed the maximum height of pallets to be stacked, as indicated on the pallet packaging. Store pallets in a cool and dry location until the PV modules are ready to be unpackaged.

SoliTek PV modules are heavy, and should be handled with care. Never use the junction box or cables as a grip. Do not exert mechanical stress on the cables. Never step on PV modules or drop or place heavy objects on them. Be careful when placing PV modules on hard surfaces, and secure them from falling. Broken glass can result in personal injury. PV modules with broken glass cannot be repaired and must not be used. Broken or damaged PV modules must be handled carefully and disposed of properly.

3 Application

3.1 Restrictions

SoliTek PV modules must be mounted on appropriate mounting structures positioned on suitable buildings, the ground, or other structures suitable for PV modules (e.g. carports, building facades or PV trackers). PV modules must not be mounted on moving vehicles of any kind. Modules must not be installed in locations where they could be submerged in water.

Artificially concentrated light must not be directed on SoliTek PV modules.

3.2 Recommendations

SoliTek recommends that PV modules be mounted at a minimum tilt angle of 10 degrees to allow for proper self-cleaning from rain.

Partial or complete shading of a PV module or modules can significantly reduce system performance. SoliTek recommends minimizing the amount of shade throughout the year to increase the amount of energy produced by the PV modules.

High system voltages could be induced in the event of an indirect lightning strike, which could cause damage to PV system components. The open area of wire loops should be minimized; in order to reduce the risk of lightning induced voltage surges.

Better module ventilation and shorter connection cables increase electrical energy production.

For bifacial modules:

It is recommended to increase PV panel height from the ground so that more light can travel beneath the module and then reflect

The bifacial gain increases significantly if modules are installed above white (high albedo value), light reflecting surfaces.

4 Electrical installation

4.1 Safety

PV modules can produce current and voltage when exposed to light of any intensity. Electrical current increases with higher light intensity. DC voltage of 50 Volts or higher is potentially lethal. Contacting the live circuitry of a PV system operating under light can result in lethal electric shock.

De-energize PV modules by removing them entirely from light or by covering their front surface with an opaque material. Regard the safety regulations for live electrical equipment when working with modules that are exposed to any light. Use insulated tools and do not wear metallic jewelry while working with PV modules.

In order to avoid arcing and electrical shock, do not disconnect electrical connections under load. Faulty connections can also result in arcing and electrical shock. Keep connectors dry and clean, and ensure that they are in proper working condition. Never insert metallic objects into the connectors, or modify them in any way in order to secure an electrical connection.

Do not touch or handle PV modules with broken glass unless the PV modules are first disconnected and you are wearing proper PPE. Avoid handling PV modules when they are wet unless cleaning the PV modules as directed in this manual. Never touch electrical connections that are wet without protecting yourself with insulated gloves.

The modules are qualified for application class A: Hazardous voltage (IEC 61730: higher than 50V DC; EN 61730: higher than 120V), hazardous power applications (higher than 240W) where general contact access is anticipated.

Installing solar photovoltaic systems requires specialized skills and knowledge. It should be performed only by qualified and specially instructed personnel. The installer assumes all risk of injury, including risk of electric shock.

Use only equipment, connectors, wiring and mounting hardware specifically designed for use in a photovoltaic system.

Before any manipulation at an installed PV plant, switch it of first on AC-side after on DC-side of the inverter or the charge controller.

When disconnecting wires connected to a photovoltaic module that is exposed to light, an electric arc may occur. Arcs can cause burns, start fires or otherwise create safety (up to lethal electric shock) problems.

Check for remaining voltage before starting, and observe the local safety relevant regulations for such working conditions.

Under normal conditions, a photovoltaic module can produce more current and/or voltage (here: 30V DC) than reported at standard test conditions.

Contact with a DC voltage of 30 V or more is potentially hazardous. Exercise caution when wiring or handling modules exposed to sunlight.

Only connect modules with the same rated output current in series. If modules are connected in series, the total voltage is equal to the sum of the individual module voltages.

Only connect modules or series combinations of modules with the same voltage in parallel. If modules are connected in parallel, the total current is equal to the sum of individual module or series combination currents.

Always use the same type of module within a particular photovoltaic system.

With a serial interconnection of the modules, the sum of the open circuit voltage at Standard Test Conditions (V_{oc} @ STC) must not pass over the maximal system voltage indicated, both indicated in the modules datasheet.

If the sum of short circuit currents of the parallel connected modules passes over the reverse current (indicated in the table of chapter 8), string diodes or fuses have to be used in each string of modules connected in parallel. These string diodes or fuses have to be qualified for the maximum expected current and voltage. Maximum rating for series fuse has to be 15 A and diode 12 A.

Observe the instructions and safety precautions for all other components used in the system, including wiring and cables, connectors, DC-breakers, inverters, etc.

Use appropriate safety equipment (insulated tools, dielectric gloves and shoes, etc) approved for use on electrical installations.

4.2 Configuration

Under normal conditions, a photovoltaic module is likely to experience conditions that produce more current and/or voltage than reported at Standard Test Conditions (STC: 1000 W/m², AM 1.5, and 25°C cell temperature) or Bifacial Standard Test Conditions (BSTC: 1167 W/m², AM 1.5, and 25°C cell temperature). The short-circuit current (I_{sc}) should be multiplied by a factor of 1.25 and the open-circuit voltage (V_{oc}) should be multiplied by a factor of up to 1.25 based on the lowest and highest ambient temperature recorded for the installation location when determining component voltage ratings, conductor current ratings, fuse sizes, and size of controls connected to the PV output. In case of bifacial module usage please refer to parameters listed under Bifacial Standard test Conditions (BSTC) column.

Voltages are additive when PV modules are connected directly in series, and module currents are additive when PV modules are connected directly in parallel. PV modules with different electrical characteristics must not be connected directly in series. The use of suitable third-party electronic devices connected to PV modules may enable different electrical connections and must be installed according to the manufacturer's specified instructions.

The maximum number of PV modules that can be connected in a series string must be calculated in accordance with applicable regulations in such a way that the specified maximum system voltage of the PV module and all other electrical DC components will not be exceeded in open-circuit operation at the lowest temperature expected at the PV system location. Maximum number of PV modules connected in series and not exceeding maximum system voltage of 1500 V (60 cells modules) – 35 polycrystalline silicon PV panels (SOLID Pro), 33 for monocrystalline and bifacial (SOLID Pro and SOLID Bifacial), 32 for framed monocrystalline and bifacial (SOLID Framed and SOLID Framed Bifacial). For 1000 V system – 23 polycrystalline silicon PV panels (SOLID Pro), 22 for monocrystalline and bifacial (SOLID Pro and SOLID Bifacial), 21 for framed monocrystalline and bifacial (SOLID Framed and SOLID

Framed Bifacial). Maximum number of PV modules connected in series and not exceeding maximum system voltage of 1500 V (72 cells modules) – 29 polycrystalline silicon PV panels (SOLID Pro), 28 for monocrystalline and bifacial (SOLID Pro and SOLID Bifacial). For 1000 V system – 19 polycrystalline silicon PV panels (SOLID Pro), 18 for monocrystalline and bifacial (SOLID Pro and SOLID Bifacial). Maximum number of PV modules connected in parallel and not exceeding maximum system current of 15 A – 1 piece.

Accordingly for Pro or Bifacial series modules, the values of ISC and VOC under STC or BSTC marked on this module should be multiplied by a factor of 1,25 when determining component voltage ratings, conductor current ratings, fuse sizes, and size of controls connected to the PV output. In the USA, refer to Section 690-8 of the National Electrical Code (NEC) for an additional multiplying factor of 125 percent (80 percent de-rating) which may be applicable.

4.3 Overcurrent protection device (OCPD)

When the potential reverse current of a PV string exceeds the rated SoliTek PV module series fuse rating (values indicated at the module datasheet) an overcurrent protection device (OCPD) must be used (IEC 61730-1 clause 12.3). An overcurrent protection device is required for each series string if more than two series are connected in parallel. In this case, it is needed to use one fuse per string rated at $1.25 \times I_{sc}$ or higher (I_{sc} is the PV module's short circuit current at STC). A PV fuse on each PV string will protect the PV modules and conductors from overcurrent faults and help minimize any safety hazards. The PV fuse will also isolate the faulted PV string so the balance of the PV system can continue to generate electricity.

- Fuse amp rating $\geq 1.25 \times I_{sc}$

Select next higher standard rating at the catalogue of available PV Fuses.

I_{sc} = Short-circuit current of one module at Standard Test Conditions (STC);

Considering the values of I_{sc} of SoliTek modules, the right value of the PV Fuses to be used at the installation is **15 A**. SoliTek recommends using PV fuses in both the positive and negative conductors.

4.4 Cable & wiring

SoliTek PV modules are provided with two standard, sunlight resistant output cables that are terminated with PV connectors ready for most installations. The positive (+) terminal has a male connector while the negative (-) terminal has a female connector. The module wiring is intended for series connections [i.e. male (+) to female (-) interconnections], but can also be used to connect suitable third-party electrical devices that may have alternative wiring configurations so long as the manufacturer's instructions are followed.

Use field wiring with suitable cross-sectional areas that are approved for use at the maximum short-circuit current of the PV module. All wiring must be double insulated, cross-linked cables with a minimum rating of 1,8 kV (over 1500 V voltage) and minimum rated temperature of 90 °C. Wire size not less than 4 mm². The insulation type should be appropriate for the type of installation method used and must meet IEC 61730 and Safety Class II requirements.

- Insulation level: 1,8 kV (conductor-conductor);
- Temperature: -40°C up to +90°C at least;
- Construction of conductor: tinned stranded copper wire with copper purity greater than 99,9%;
- Primary insulation: cross-linked polyethylene (XLPE), sunlight and moisture resistant, flame retardant. Suitable for conduit and raceways installed underground;
- Insulation (jacket): thermoplastic, sunlight resistant, flame retardant, water resistant.
- Minimum cable outer diameter with insulation – 5,2 mm.
- Minimum conductor cross-section – 4 mm².

SoliTek recommends installers use only sunlight resistant cables qualified for direct current (DC) wiring in PV systems. Cables should be fixed to the mounting structure in such a way that mechanical damage of the cable and/or the module is avoided. Do not apply stress to the cables. For fixing, use appropriate means, such as sunlight resistant cable ties and/or wire management clips. While the cables are sunlight resistant and waterproof, where possible, avoid direct sunlight exposure and water immersion of the cables.

Standard length of cables from the junction boxes is 1,2 m. It is intended that two panels would interconnect in the system.

4.5 Grounding

Functional grounding is not foreseen for SOLID modules. If it is performed, local electric codes and regulations have to be observed and used grounding means have to be isolated from live parts by reinforced insulation. Safety grounding has to be performed accordingly.

4.5.1 SOLID Framed series modules grounding

For SOLID Framed series of PV panels grounding has to be assured by connecting module frame to the grounding structure. Observe all local electric codes and regulations. A bolted connection is required, it incorporates:

- A screw size of M4 or greater;
- A star washer under the screw head or a serrated screw must penetrate nonconductive coatings like anodized frame;
- Screw and star washer has to be made of stainless steel;
- Grounding screw has to go through all the connecting elements and protrude outside by two threads.

Devices listed and identified for grounding metallic frames of PV modules are permitted to ground the exposed metallic frames of the module to grounded mounting structures.

In any case the grounding screws or other parts have to be used separately from mounting parts of the module.

Grounding resistance of grounding structure shall be reached according to local regulations, Eurocodes or other legal normative references.

4.5.2 SOLID Pro and bifacial series grounding

Due to that SoliTek SOLID Pro and Bifacial modules are frameless, no module grounding is required. Other PV plant equipment should be grounded according to the local and national electrical codes.

4.6 Connectors

Connectors for SoliTek PV panels are MC4 compatible. Keep MC4 compatible connectors dry and clean, and ensure that connector caps are hand tight before connecting the modules. Do not attempt making an electrical connection with wet, soiled, or otherwise faulty connectors. Avoid sunlight exposure and water immersion of the connectors. Avoid connectors resting on the ground or roof surface. Do not disconnect under load. Faulty connections can result in arcs and electrical shock. Check that all electrical connections are securely fastened. Make sure that all locking connectors are fully engaged and locked.

4.7 Bypass diodes

The PV module's junction box contains 3 bypass diodes (one in each part of split junction box; Schottky type) connected in parallel with the PV cell strings. In the case of partial shading (hot-spot effect), the diodes bypass the current generated by the non-shaded cells, thereby limiting module heating and performance losses.

Bypass diodes are not overcurrent protection devices. Bypass diodes divert current from the cell strings in the event of partial shading. The characteristics of these diodes:

- Voltage rating – 45 V;
- Current rating – 12 A.

5 Fire class rating

SoliTek SOLID module has been approved by the IEC fire test and achieved Flammability Class A. Fire test was performed at the inclination of 127 mm per 300 mm (as prescribed in the point A.2.5 of IEC 61730-2).

6 Mechanical mounting

All mechanical pressure values indicated in this manual are design figures, this means that test values are 1,5 times greater, for instance if the modules are declared to withstand 1600 Pa pressure, it means they were tested at 2400 Pa pressure.

6.1 Mounting rails

Please observe the safety regulations and installation instructions included with the mounting rail. If necessary please contact the supplier directly for further information.

The modules must be safely set onto the mounting rail. The whole rail supporting the photovoltaic system must be strong enough to resist potential mechanical pressures caused either by wind or snow, in accordance with local, regional and state safety (and other associated) standards.

Make sure that the mounting rail will not deform or affect the modules when it expands as a result of thermal expansion.

The mounting rail must be made of durable, anti-corrosive and UV-resistant materials.

6.2 Mounting with clamps

SoliTek has tested its modules with Alumero CLICK 6.8 clamps. Use at minimum 4 clamps to fix modules on the mounting rails. Modules clamps metal parts should not come into contact with the front or back glass. When choosing this type of clamp-mounting method, use at least four clamps on each module; two clamps should be attached on each long side. Depending on local wind and snow loads, additional clamps may be required to ensure that modules can bear the load.

Applied torque should refer to mechanical design standard according to the bolt customer is using. It is recommended to use only certificated equipment for the PV plant installation.

Alumero CLICK 6.8 clamps tightening torque should be at least 15 Nm, but not greater than 20 Nm. Usually 15 Nm is reached when two aluminium profiles touch each other. When using other mounting clamps please refer to manufacturers recommendations.

Table 1. Laminated, CLICK 6.8 type, clamp details

Product	Visualisation	Length options:	Material / surface
Laminate middle clamp CLICK 6.8		<ol style="list-style-type: none"> 150mm 200mm 	EN AW 6063/ T66; EPDM; mill finish / black
Laminate end clamp CLICK 6.8		<ol style="list-style-type: none"> 150mm 200mm 	EN AW 6063/ T66; EPDM; mill finish / black

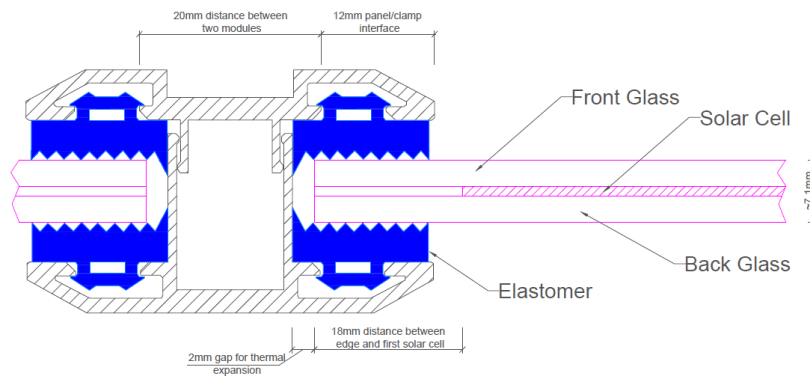


Figure 1. Recommended clamp dimensions for the SoliTek PV Glass-Glass modules

6.3 SOLID Pro P(M).60 and Bifacial B.60 mounting

6.3.1 Transversal rails

• **1600 Pa wind load / 1600 Pa snow load**

• **1600 Pa wind load / 3600 Pa snow load**

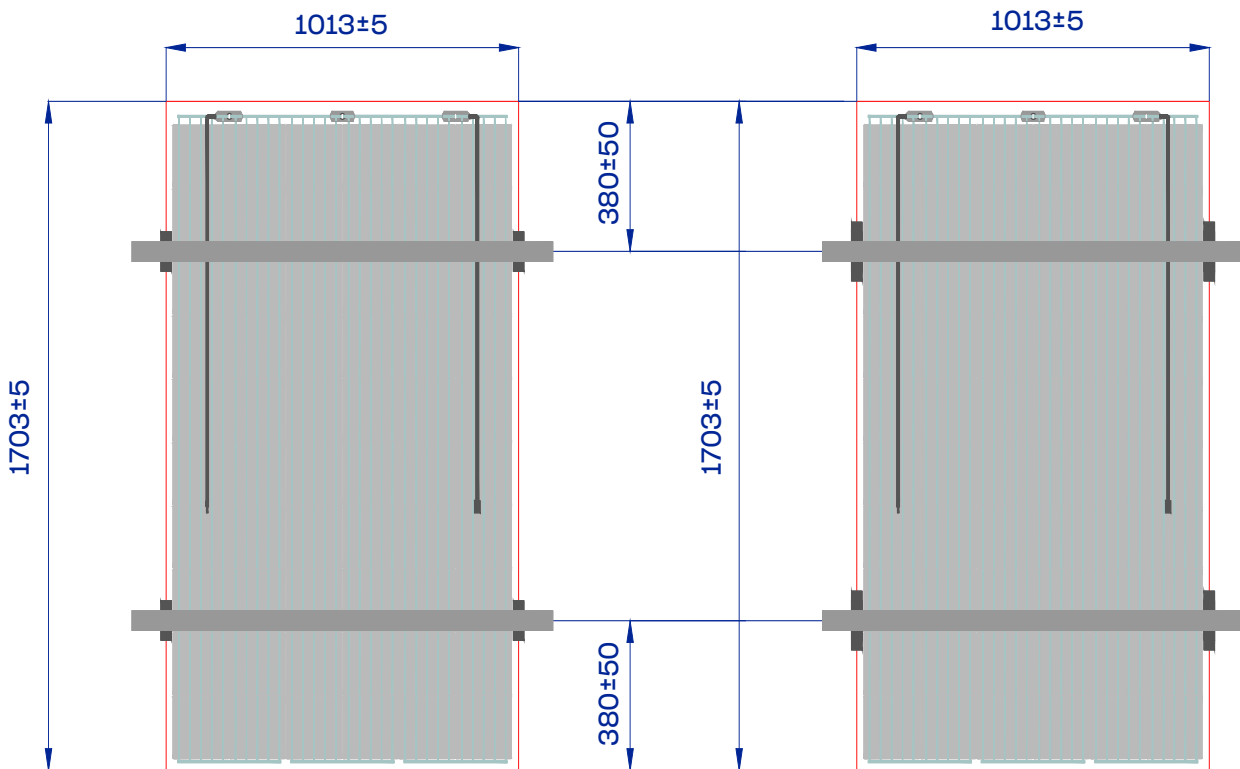


Figure 2. 6.3 SOLID Pro P(M).60 mounting with four fixing points and transversal rails.

Using four fixing points with clamps on 60 cell regular size modules allows to achieve 1600 Pa of wind loadings and 3600 Pa of snow loads if Alumero CLICK 6.8 200 mm clamps are used. If 100 mm clamps are used 1600 Pa of wind and snow loads can be achieved. Using four fixing points with 100 m length clamps in portrait configuration is not recommended due to risk of panels sliding out of clamp gaskets. It is normal that at loadings higher than 1600 Pa panels will touch the transversal rails. Please make sure that the rail surface is smooth, because even the smallest sharp edge can cause fast mechanical failure. If the rail surface is not smooth, sharp edges occur, it is recommended to use rail gaskets to even the touching surface.

- 1600 Pa wind load / 5330 Pa snow load

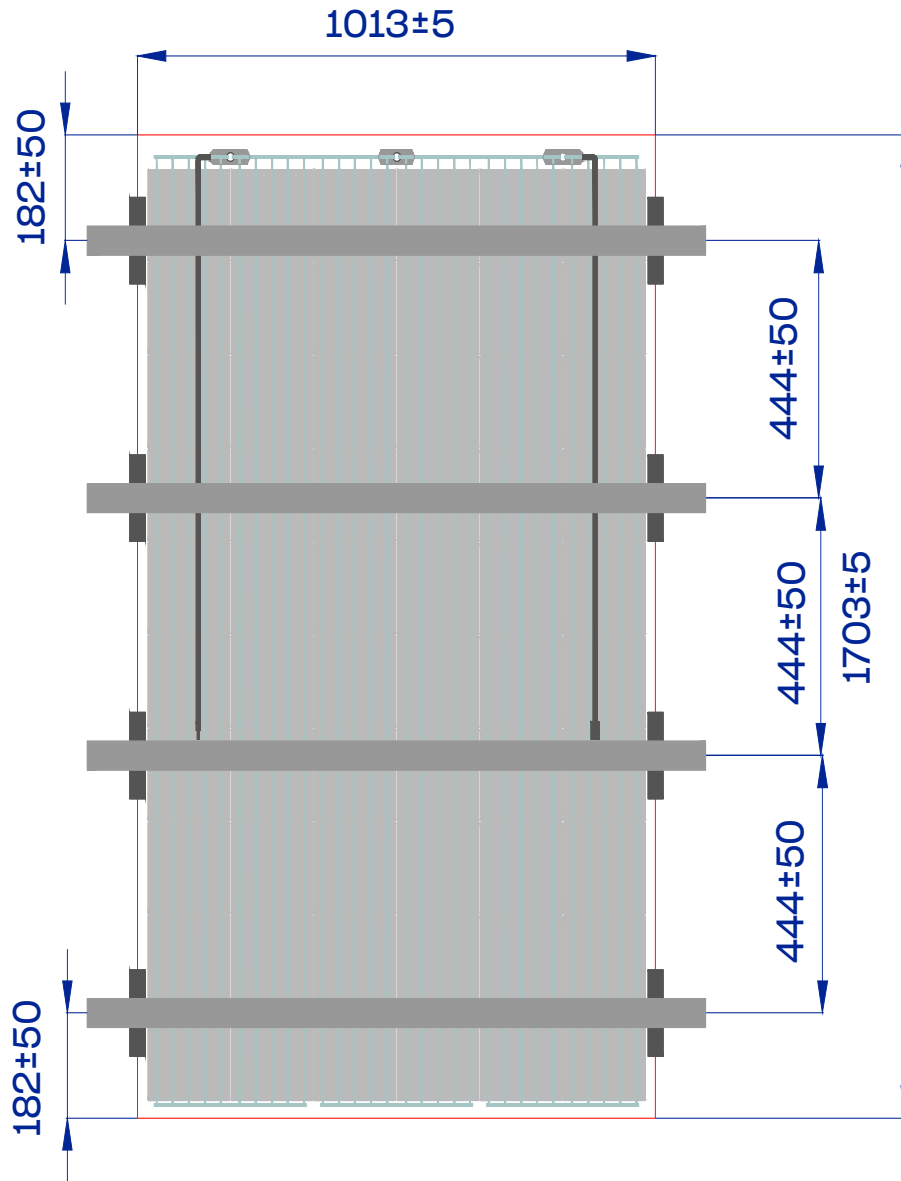


Figure 3. SOLID Pro P(M).60 and Bifacial B.60 mounting with eight fixing points and transversal rails.

Using four Alumero CLICK 6.8 200 mm clamps allows for the panel to achieve 5330 Pa of snow loads and 1600 Pa of wind loads.

It is normal that at loadings higher than 1600 Pa panels will touch the transversal rails. Please make sure that the rail surface is smooth, because even the smallest sharp edge can cause fast mechanical failure. If the rail surface is not smooth, sharp edges occur, it is recommended to use rail gaskets to even the touching surface.

6.4 SOLID Pro P(M).72 Bifacial B.72 mounting

6.4.1 Transversal rails

• **1600 Pa wind load / • 1600 Pa snow load**

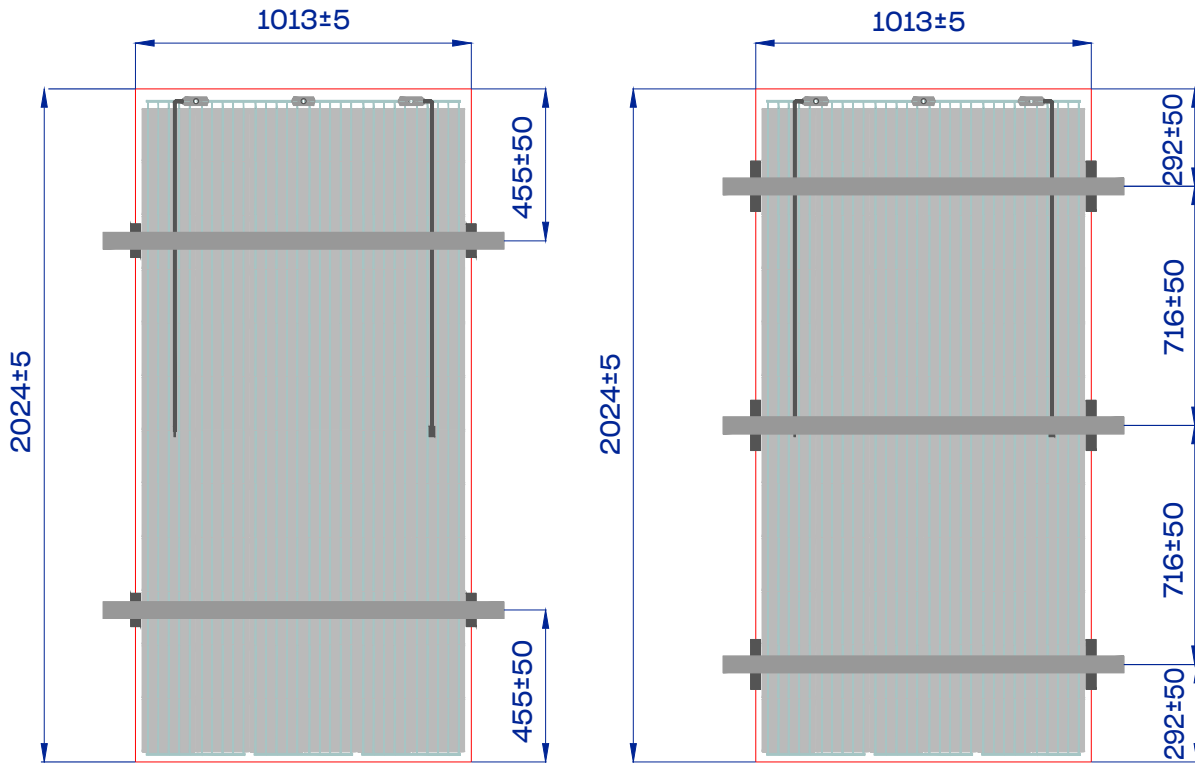


Figure 4. Figure 5. SOLID Pro P(M).72 and Bifacial B.72 mounting with four fixing points and transversal rails.

Using four fixing points with clamps on 72 cell regular size modules allows to achieve 1600 Pa of wind and snow loads with Alumero CLICK 6.8 200 mm clamps. If 100 mm clamps are used 1600 Pa of wind and snow loads can be achieved by adding third rail in the system which correspond to six fixing points in total per panel. It is normal that at loadings higher than 1600 Pa panels will touch the transversal rails. Please make sure that the rail surface is smooth, because even the smallest sharp edge can cause fast mechanical failure. If the rail surface is not smooth, sharp edges occur, it is recommended to use rail gaskets to even the touching surface.

- 1600 Pa wind load / 3600 Pa snow load

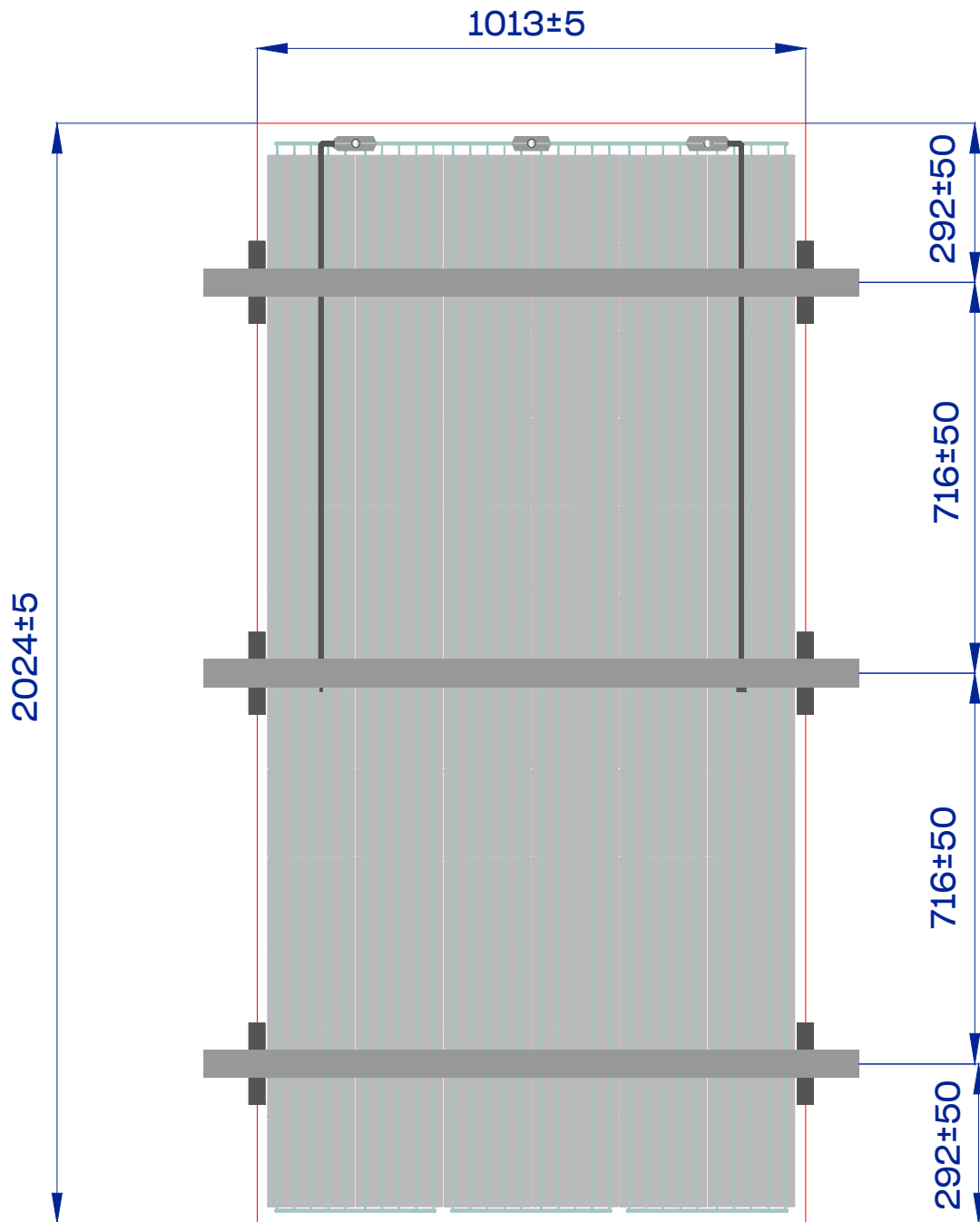


Figure 6. SOLID Pro P(M).72 and Bifacial B.72 mounting with six fixing points and transversal rails.

Using six Alumero CLICK 6.8 200 mm clamps allows for the panel to achieve 3600 Pa of snow loads and 1600 Pa of wind loads.

It is normal that at loadings higher than 1600 Pa panels will touch the transversal rails. Please make sure that the rail surface is smooth, because even the smallest sharp edge can cause fast mechanical failure. If the rail surface is not smooth, sharp edges occur, it is recommended to use rail gaskets to even the touching surface.

• 1600 Pa wind load / 5330 Pa snow load

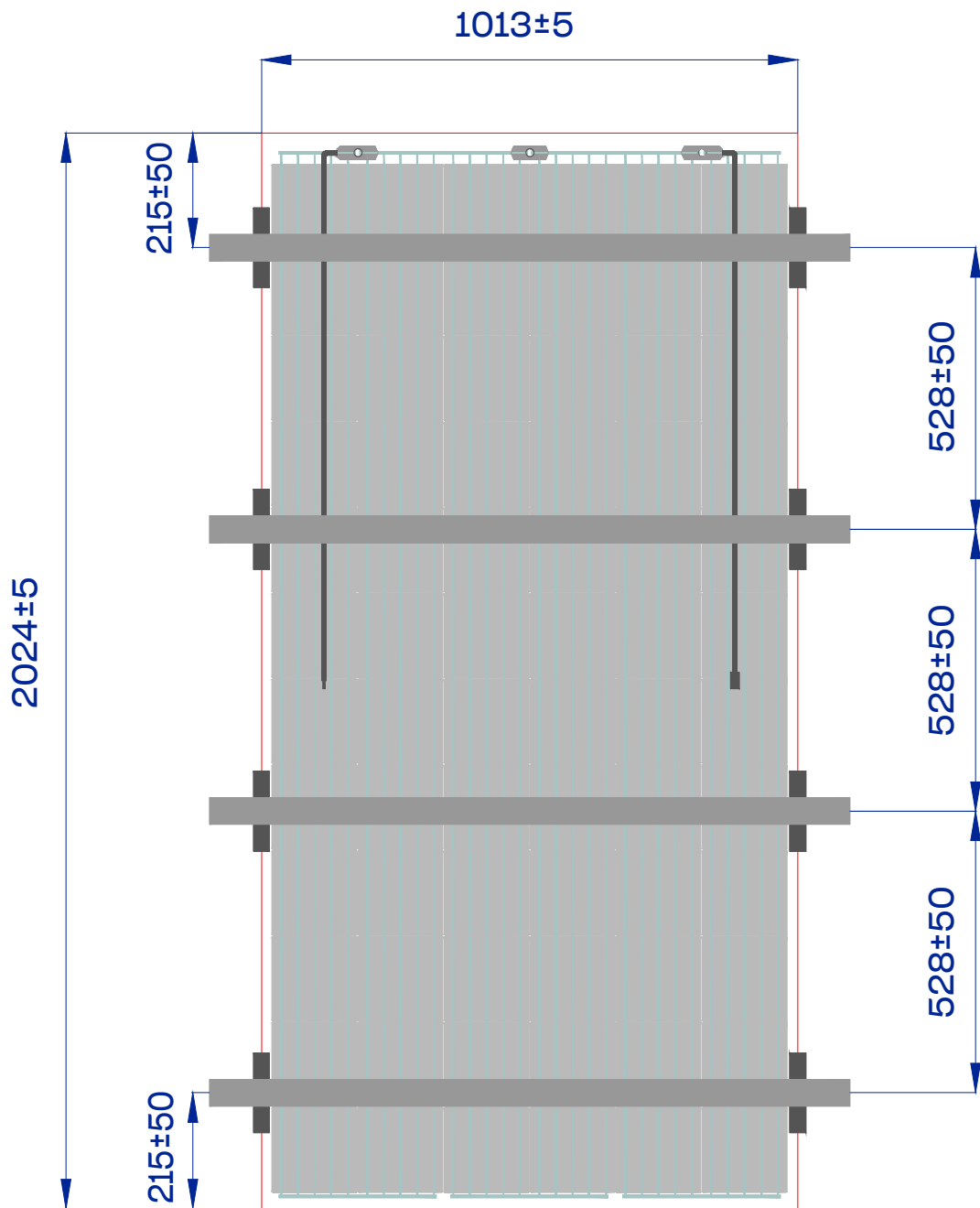


Figure 7. SOLID Pro P(M).72 and Bifacial B.72 mounting with eight fixing points and transversal rails.

Using eight Alumero CLICK 6.8 200 mm clamps allows for the panel to achieve 5330 Pa of snow loads and 1600 Pa of wind loads.

It is normal that at loadings higher than 1600 Pa panels will touch the transversal rails. Please make sure that the rail surface is smooth, because even the smallest sharp edge can cause fast mechanical failure. If the rail surface is not smooth, sharp edges occur, it is recommended to use rail gaskets to even the touching surface.

6.5 SOLID Framed P(M).60, Bifacial Framed B.60 mounting

6.5.1 Mounting with clamps

Clamping on the long side of module frame allows for the panel to withstand 3600 Pa of snow load and 1600 Pa of wind loads.

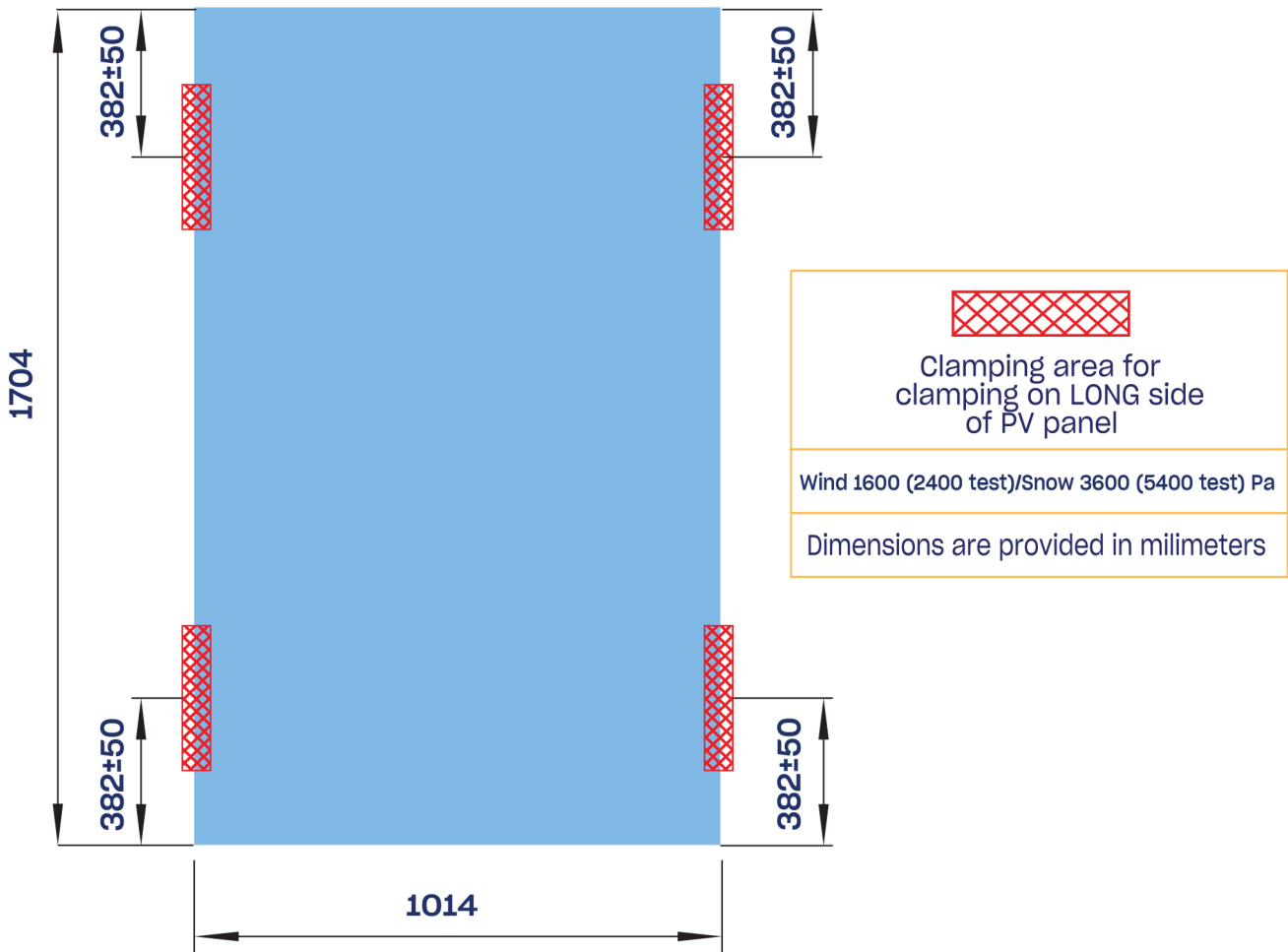


Figure 8. SOLID Framed P(M).60 mounting with clamps

6.5.2 Mounting with bolts

The module must be attached and supported by four M8 stainless steel bolts through the indicated mounting holes (Figure 1) on the transversal bars. Torque on the clamp bolt has to be in range of 8-10 Nm. Transversal bars positioning is shown in Figure 11, 6.6.1. section.

If additional mounting points are required depending on the local wind and snow loads then mounting solution with clamping hardware has to be chosen.

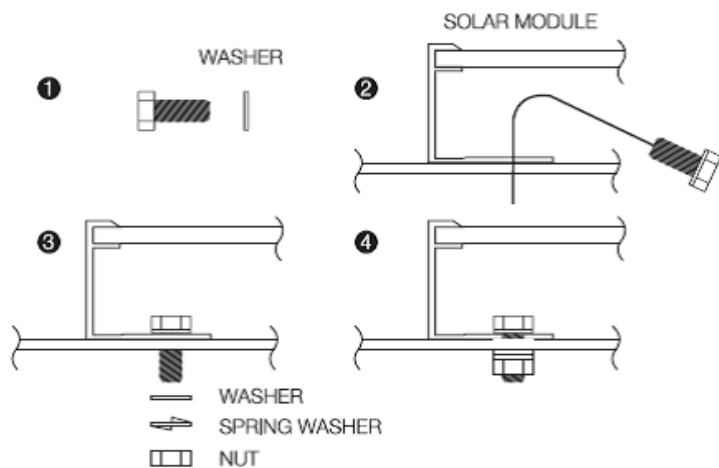


Figure 9. Mounting using bolts on the transversal bars.

Mounting with bolts can be done only through dedicated predrilled holes in the frame

Drilling new holes is forbidden and will void the warranty.

7 Maintenance

In order to ensure optimum module performance, SoliTek recommends the following: If necessary, the glass front of the module can be cleaned with water and a soft sponge or cloth. A mild, non-abrasive detergent can be used to remove more stubborn stains. Check the electrical and mechanical connections periodically and make sure they are clean, safe, complete and secure. In the event of a problem, consult with a licensed/qualified person.

8 Specifications

Table 2. SOLID Pro P(M).60(72) parameters table.

Parameter \ Model	SOLID Pro P.60	SOLID Pro M.60	SOLID Pro P.72	SOLID Pro M.72
Nominal power	275W	320W	325W	380W
Electrical Data @STC				
Maximum Power (Pmax) , W	275	320	325	380
Voltage at Maximum Power (Vmpp) , V	31,23	34,23	36,89	40,68
Current at Maximum Power (Impp) , A	8,81	9,36	8,81	9,36
Open Circuit Voltage (Voc) , V	38,13	41,16	45,04	47,87
Short Circuit Current (Isc) , A	9,26	9,77	9,26	9,77
Electrical Data @NMOT				
Maximum Power (Pmax) , W	NA	NA	NA	NA
Voltage at Maximum Power (Vmpp) , V	NA	NA	NA	NA
Current at Maximum Power (Impp) , A	NA	NA	NA	NA
Open Circuit Voltage (Voc) , V	NA	NA	NA	NA
Short Circuit Current (Isc) , A	NA	NA	NA	NA
NMOT, °C	NA	NA	NA	NA
Thermal Data				
Operating Temperature Range	- 40° C ÷ 85° C	- 40° C ÷ 85° C	- 40° C ÷ 85° C	- 40° C ÷ 85° C
Temperature Coefficient of Pmax	-0,486%/°C	-0,47%/°C	-0,486%/°C	-0,47%/°C
Temperature Coefficient of Voc	-0,347%/°C	-0,35%/°C	-0,347%/°C	-0,35%/°C
Temperature Coefficient of Isc	+0,046% /° C	+0,04%/°C	+0,046% /° C	+0,04% /° C
Size & weight data				
Length, mm	1703±5	1703±5	2024±5	2024±5
Width, mm	1013±5	1013±5	1013±5	1013±5
Thickness, mm	7,1	7,1	7,1	7,1
Weight, kg	28	28	33	33
Mounting method				
Reference to chapter	6.3	6.3	6.4	6.4
Other				
Low irradiance (200 W/m ²) power, W	NA	NA	NA	NA
Maximum reverse current, A	15			
Fire class (IEC 61730)	A			
Maximum system voltage, V	1500			

Table 3. SOLID Framed M.60

Parameter \ Model	SOLID Framed M.60
Nominal power	330W
Electrical Data @STC	
Maximum Power (Pmax) , W	330
Voltage at Maximum Power (Vmpp) , V	33,43
Current at Maximum Power (Impp) , A	9,88
Open Circuit Voltage (Voc) , V	41,58
Short Circuit Current (Isc) , A	10,08
Electrical Data @NMOT	
Maximum Power (Pmax) , W	NA
Voltage at Maximum Power (Vmpp) , V	NA
Current at Maximum Power (Impp) , A	NA
Open Circuit Voltage (Voc) , V	NA
Short Circuit Current (Isc) , A	NA
NMOT, °C	NA
Thermal Data	
Operating Temperature Range	- 40° C ÷ 85° C
Temperature Coefficient of Pmax	-0,47%/°C
Temperature Coefficient of Voc	-0,35%/°C
Temperature Coefficient of Isc	+0,04% /° C
Size & weight data	
Length, mm	1704
Width, mm	1014
Thickness, mm	35
Weight, kg	22
Mounting method	
Reference to chapter	6.6
Other	
Low irradiance (200 W/m ²) power, W	NA
Maximum reverse current, A	15
Fire class (IEC 61730)	A
Maximum system voltage, V	1500

Table 4. SOLID Bifacial B.60(72) parameters table.

Parameter \ Model	SOLID Bifacial B.60		SOLID Bifacial B.72	
Test conditions	STC	BSTC	STC	BSTC
Nominal power	320 W	380 W	380 W	450 W
Electrical Data @STC				
Maximum Power (Pmax) , W	320	380 ($\varphi=0,66$)	380	450 ($\varphi=0,66$)
Voltage at Maximum Power (Vmpp) , V	34,91	35,01	41,38	41,45
Current at Maximum Power (Impp) , A	9,19	10,86	9,19	10,86
Open Circuit Voltage (Voc) , V	41,48	41,88 ($\varphi=0,99$)	49,64	50,06 ($\varphi=0,99$)
Short Circuit Current (Isc) , A	9,76	11,41 ($\varphi=0,73$)	9,76	11,41 ($\varphi=0,73$)
Electrical Data @NMOT				
Maximum Power (Pmax) , W	NA	NA	NA	NA
Voltage at Maximum Power (Vmpp) , V	NA	NA	NA	NA
Current at Maximum Power (Impp) , A	NA	NA	NA	NA
Open Circuit Voltage (Voc) , V	NA	NA	NA	NA
Short Circuit Current (Isc) , A	NA	NA	NA	NA
NMOT, °C	NA	NA	NA	NA
Thermal Data				
Operating Temperature Range	- 40° C ÷ 85° C		- 40° C ÷ 85° C	
Temperature Coefficient of Pmax	-0,47%/°C		-0,47%/°C	
Temperature Coefficient of Voc	-0,35%/°C		-0,35%/°C	
Temperature Coefficient of Isc	+0,04% /° C		+0,04% /° C	
Size & weight data				
Length, mm	1703±5	1703±5	2024±5	2024±5
Width, mm	1013±5	1013±5	1013±5	1013±5
Thickness, mm	7,1	7,1	7,1	7,1
Weight, kg	28	28	33	33
Mounting method				
Reference to chapter	6.3	6.3	6.4	6.4
Other				
Low irradiance (200 W/m ²) power, W	NA	NA	63,3	NA
Maximum reverse current, A	15			
Fire class (IEC 61730)	A			
Maximum system voltage, V	1500			

The electrical characteristics are within of the indicated values of $I_{SC} (\varphi I_{sc}) \pm 3\%$, $V_{OC} (\varphi V_{oc}) \pm 3,5\%$, and $P_{MPP} (\varphi P_{max}) \pm 5\%$, under Standard Test Conditions (STC) (irradiance of 1000 W/m^2 , AM 1.5 spectrum, and a cell temperature of $25^\circ\text{C} / 77^\circ\text{F}$) and Bifacial Standard Test Conditions (BSTC) (irradiance of 1000 W/m^2 , AM 1.5 spectrum, and a cell temperature of $25^\circ\text{C} / 77^\circ\text{F}$). Bifaciality

All SoliTek SOLID PV panels correspond to electrical safety class II.

9 Disclaimer of liability

Since it is impossible for SoliTek to control installation, operation, application and maintenance of the photovoltaic system according to this instruction. SoliTek does not accept responsibility and expressly disclaims liability for any loss, damage or expense arising out of or in any way connected with such installation, operation, use or maintenance.

SoliTek will not take any responsibilities for any possible violation of patent rights and third party rights that are related to application of the solar energy system. No permission of patents is given through implication.

The information of this instruction is from knowledge and experiences of SoliTek. However, the instructions and suggestions of this instruction do not make an external or internal of guarantee. SoliTek reserves the right to revise this instruction, products and all the information about products without prior notification to customers.